



colourfold

Storage for home, studio and office.

Blocks of colour combine with neutrals and veneers.

Refined and precise, like the folds of an envelope.

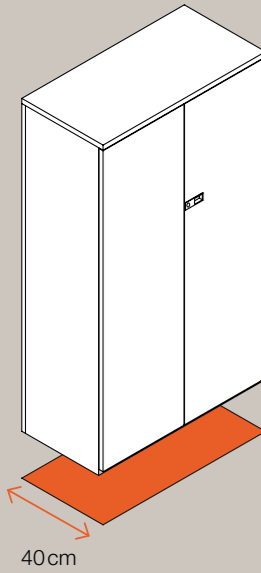
colourfold | **Knoll**



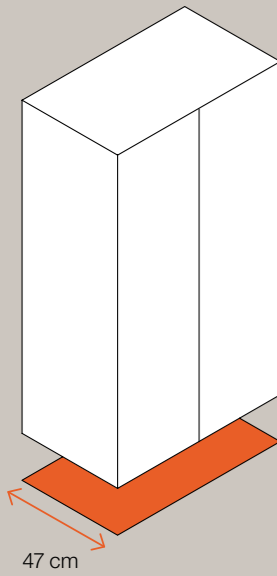
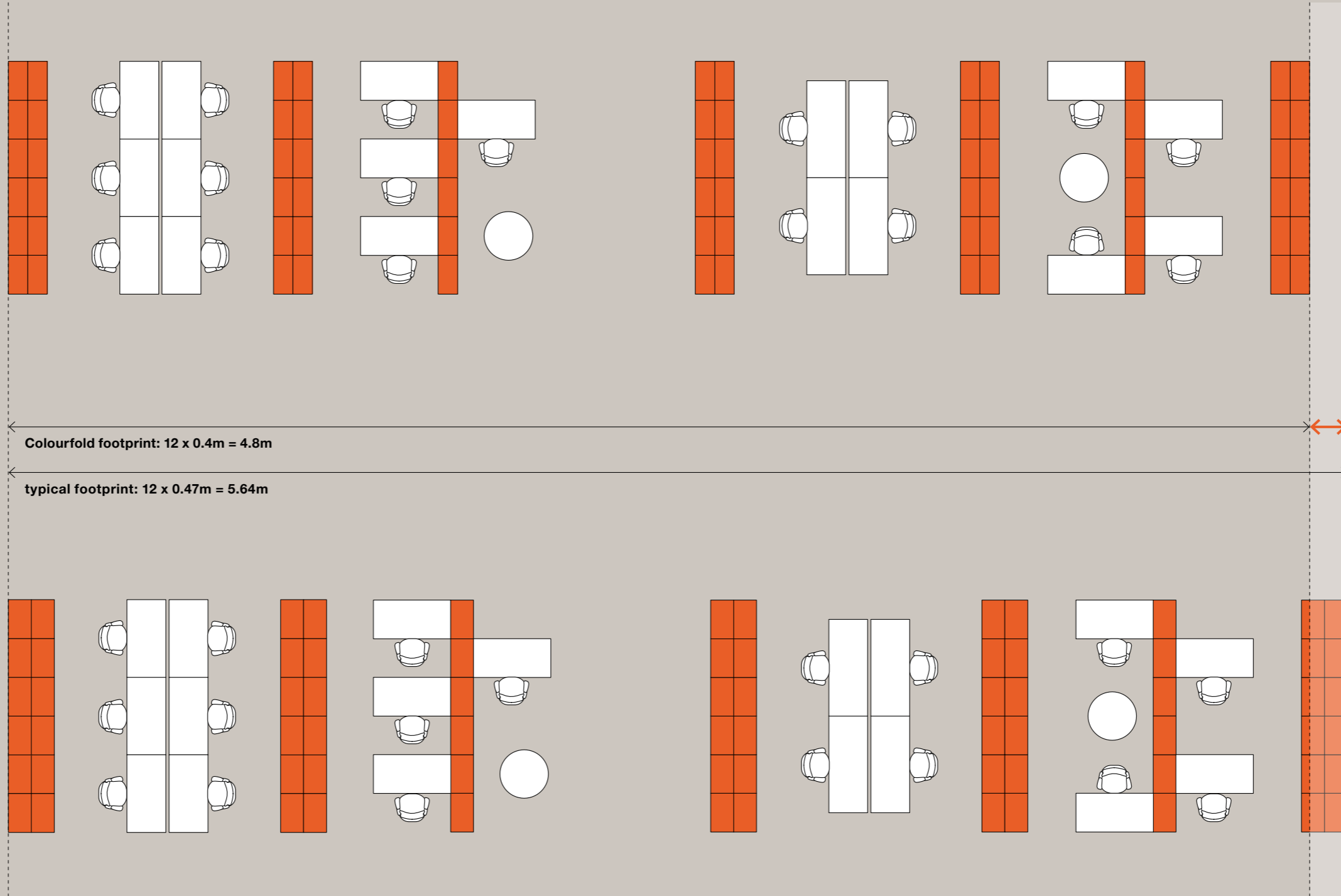


light footprint

Colourfold has a super slim profile which is both elegant and highly space efficient, with a footprint depth of only 40cm.



Colourfold footprint
5 linear metres of filing
0.4 sqm floorspace



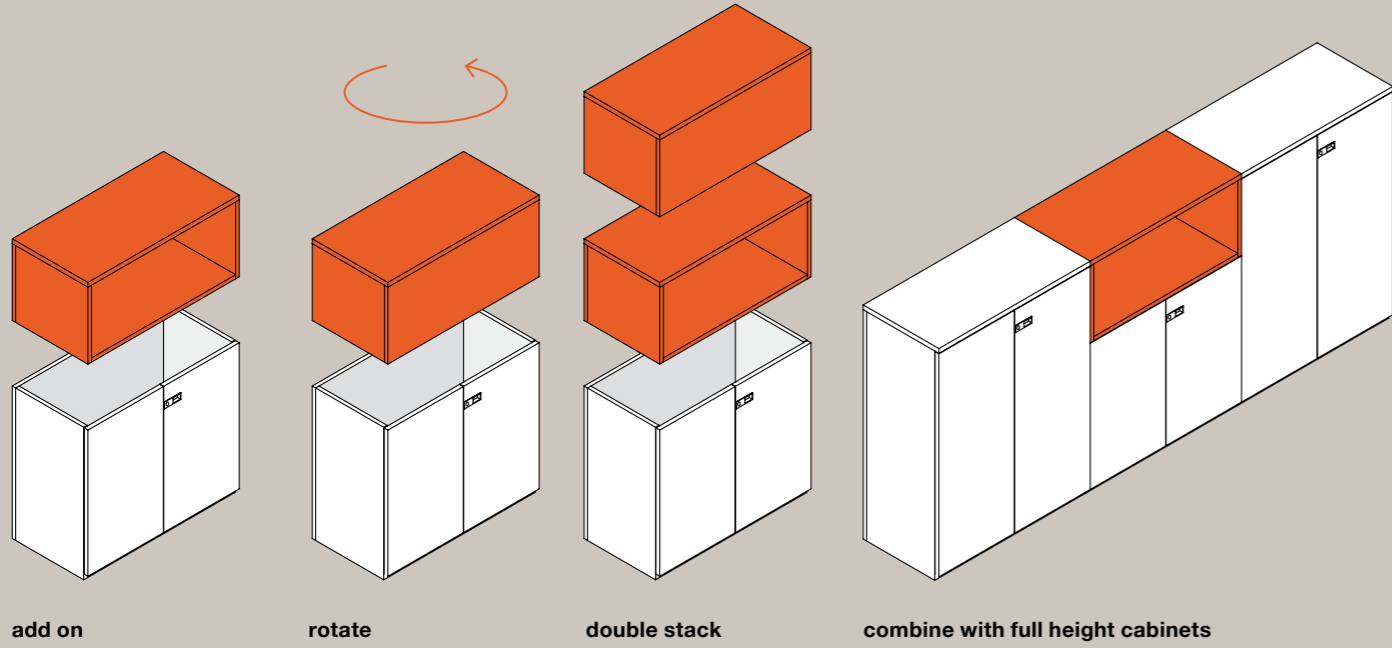
typical footprint
5 linear metres of filing
0.47 sqm floorspace





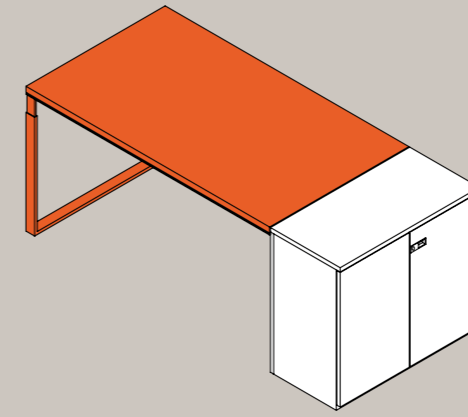
building block

The building block offers desk level storage that can be retro fitted, reversed, even double stacked.

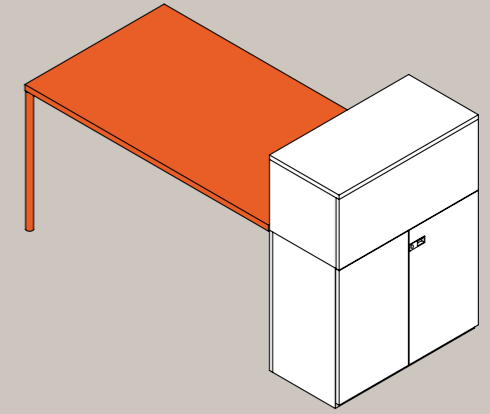


desk connect

Colourfold connects to both Wa and Scope desks. Two levels of binders are accommodated below.



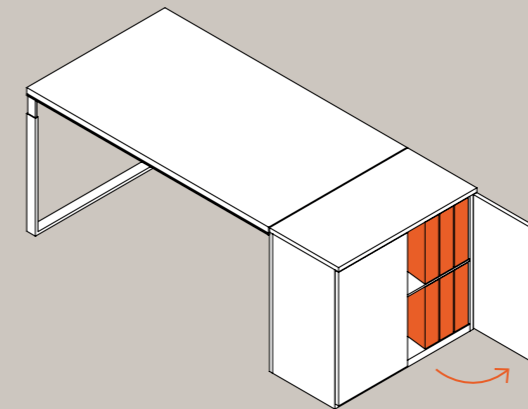
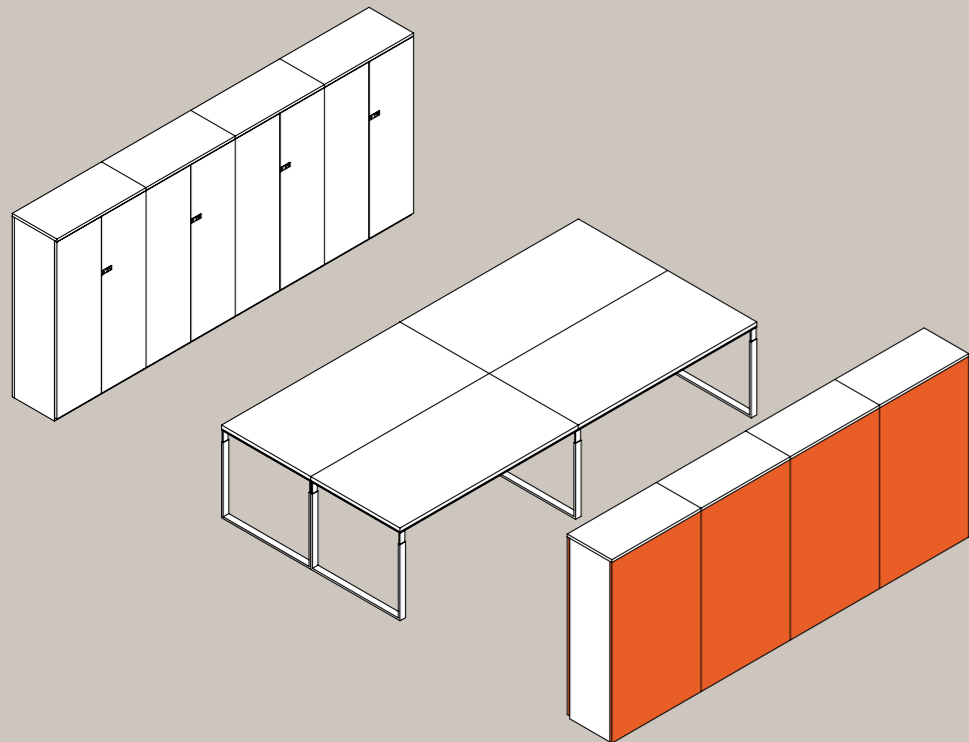
Wa desk connect



Scope desk connect

seamless back panels

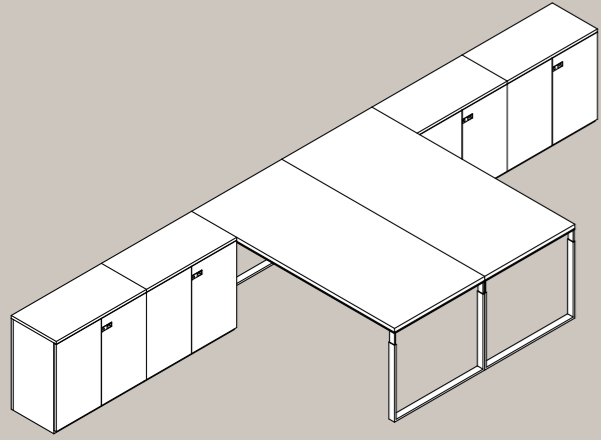
Backs are seamless and as elegant as the front. Space is defined without visual clutter.



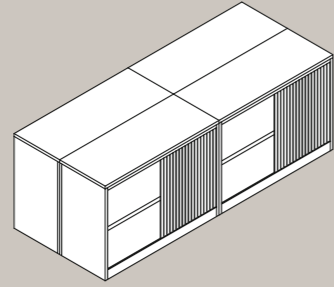
two levels of binders are accommodated below worksurface level



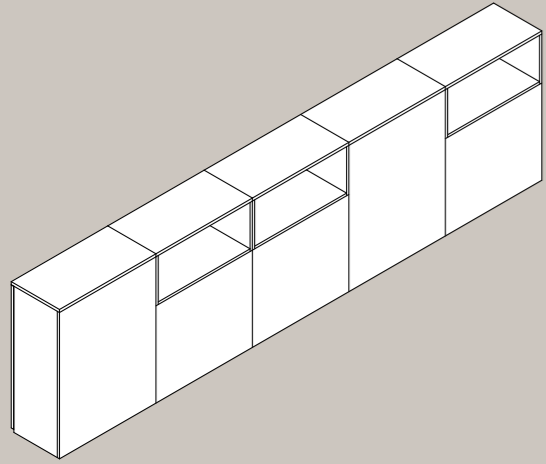
planning concepts



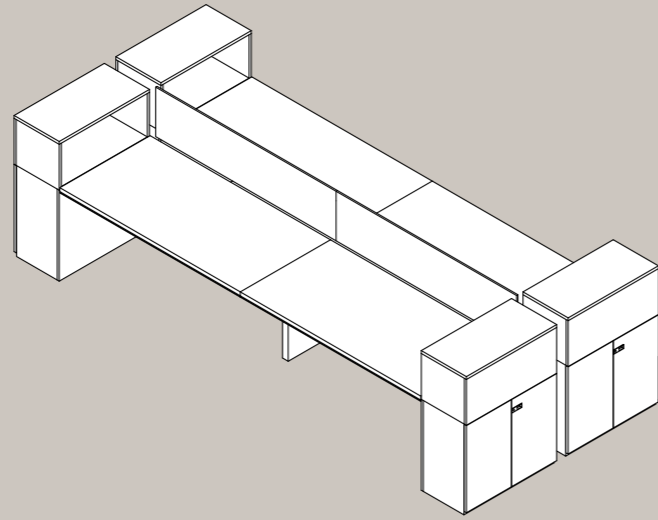
returns



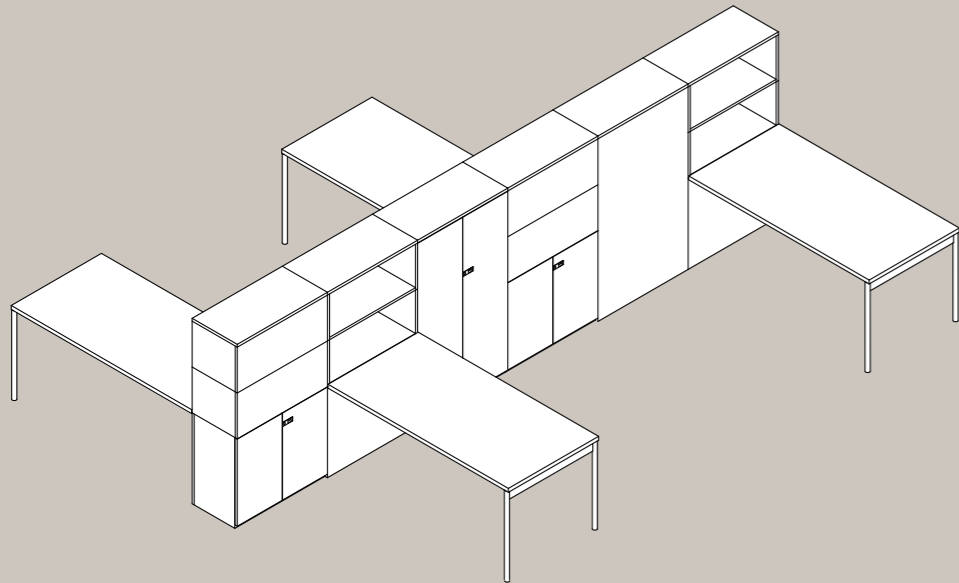
islands



walls



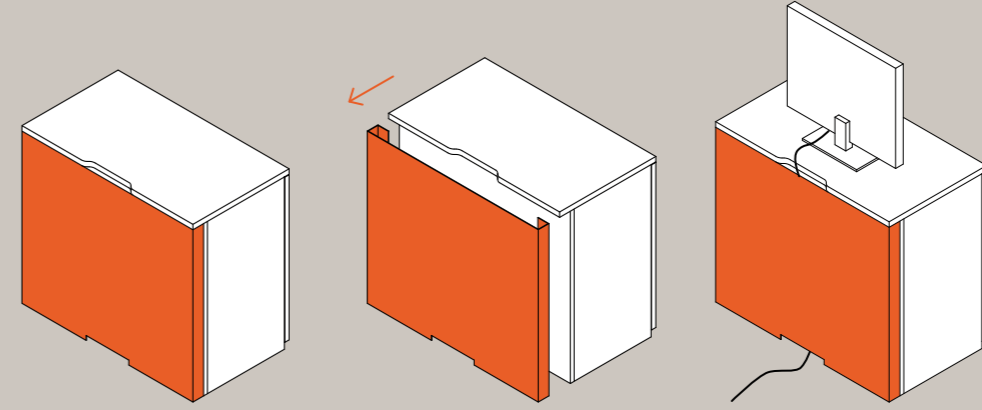
bridges



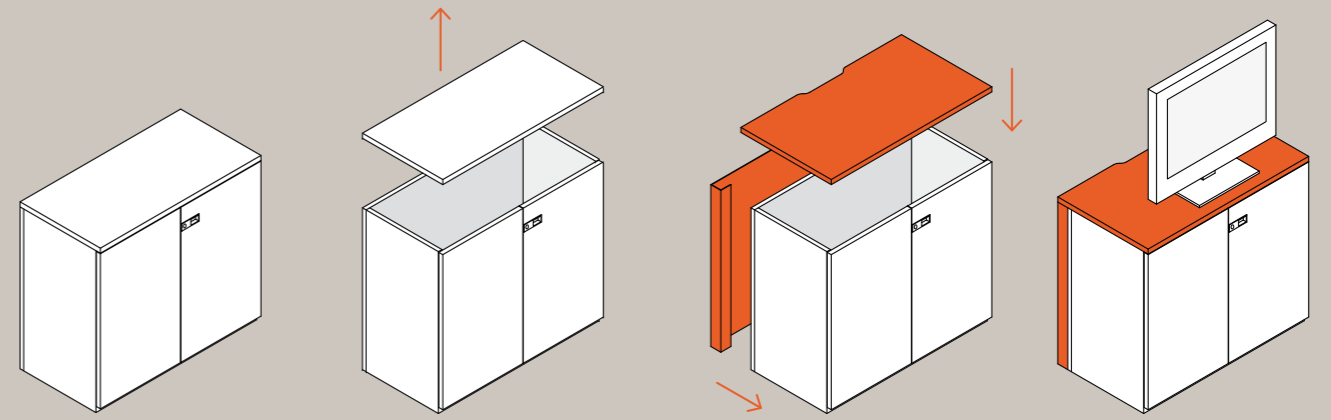
spines

cable management

Deeper tops extend to create a discrete cable channel.
The back panels quickly locate with magnetic strips
and can be removed in seconds.
All cable management can be retro fitted.



back panel

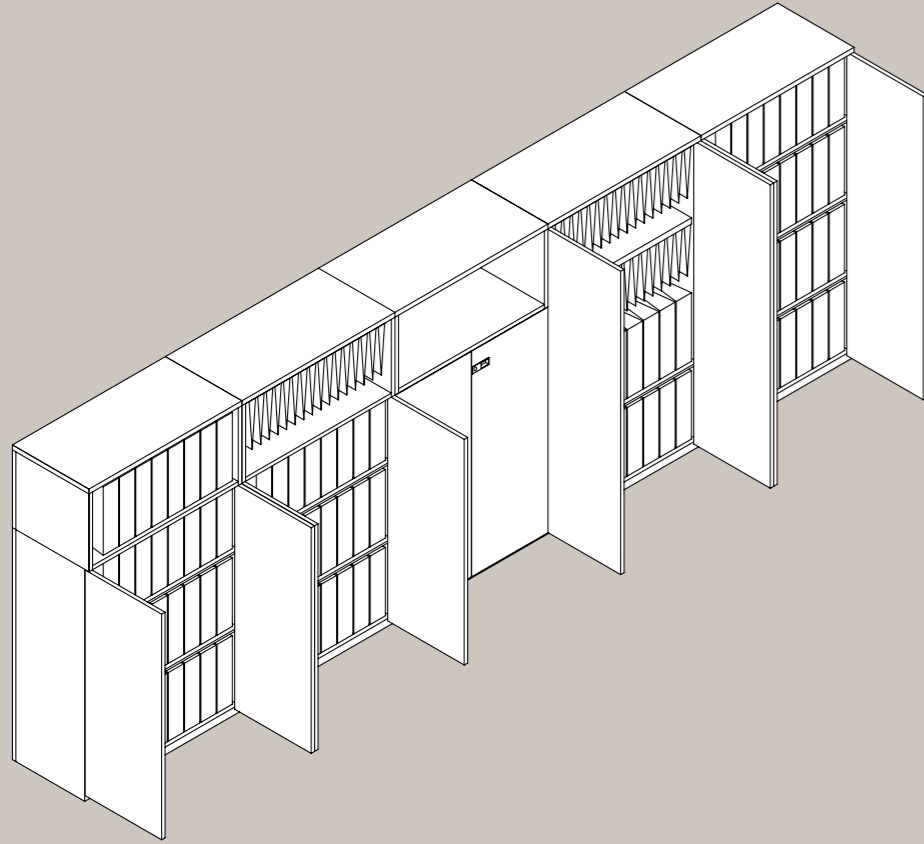


retro fit



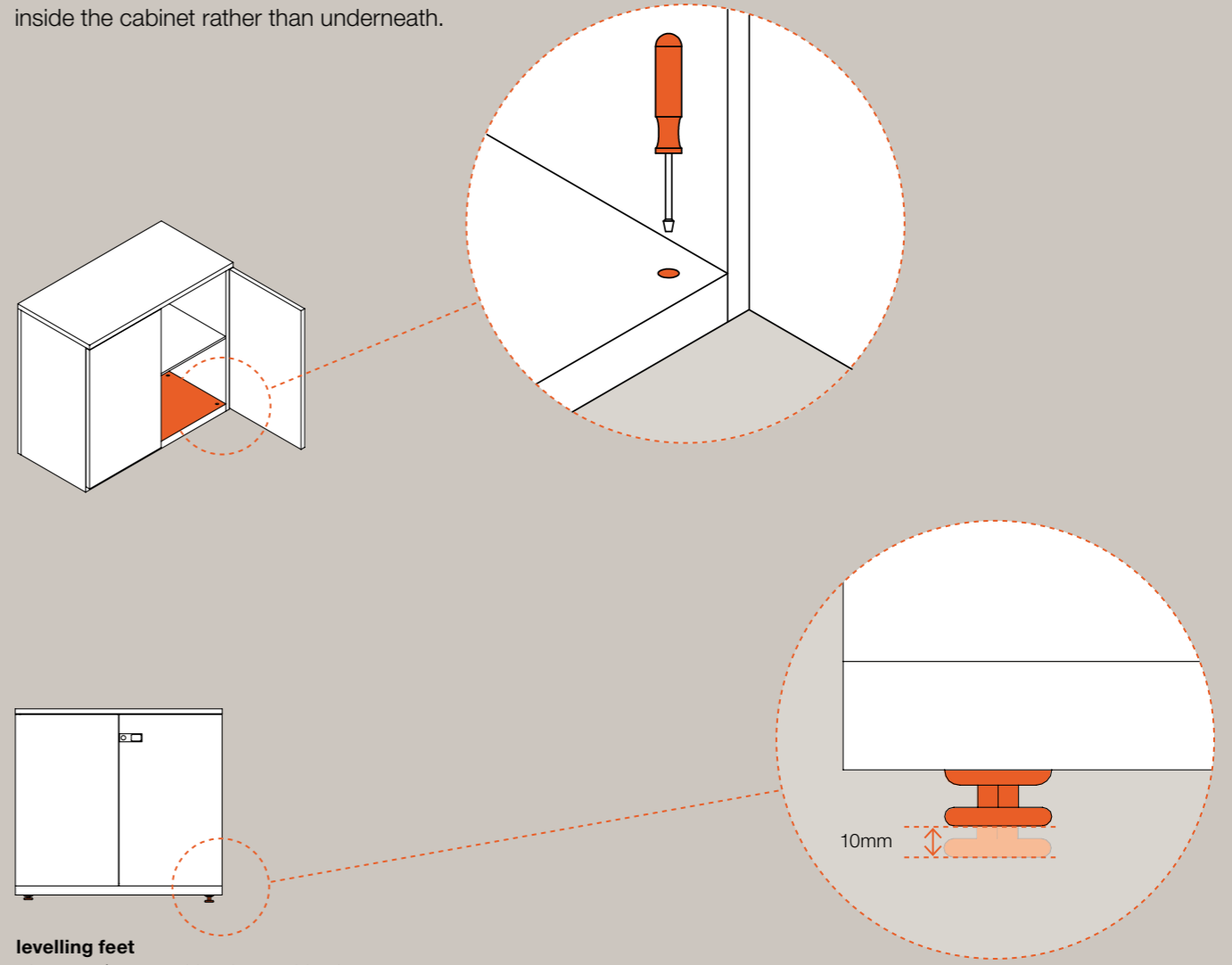
internal configurations

Shelves and suspended files are adjustable in height.
Suspended files can also be fitted to the underside of the cabinet tops.



levelling

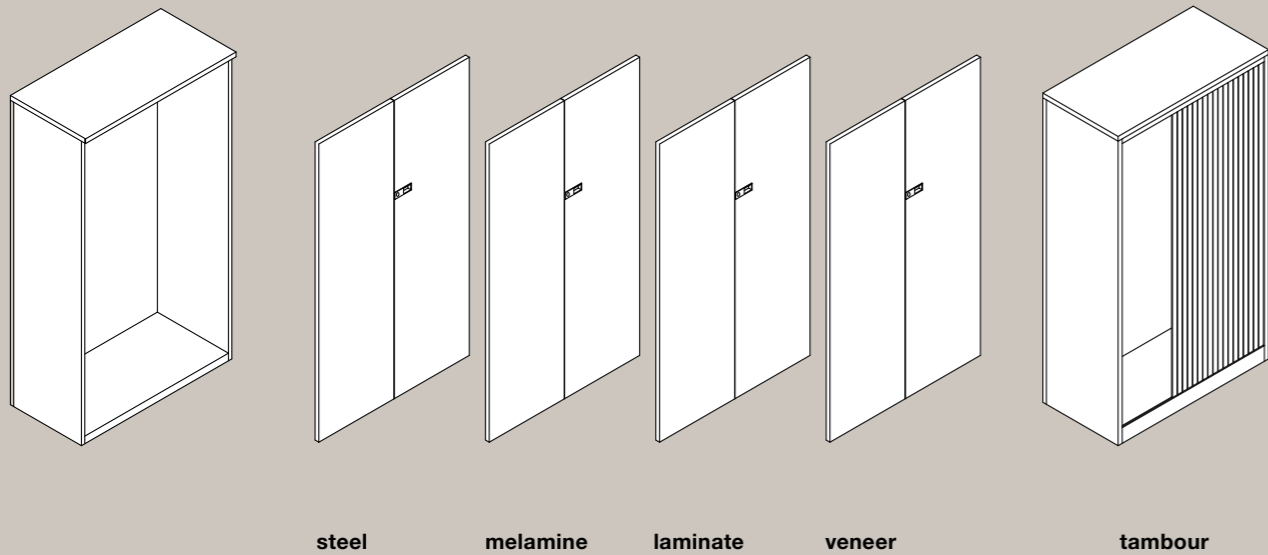
Levelling adjustment is made from inside the cabinet rather than underneath.



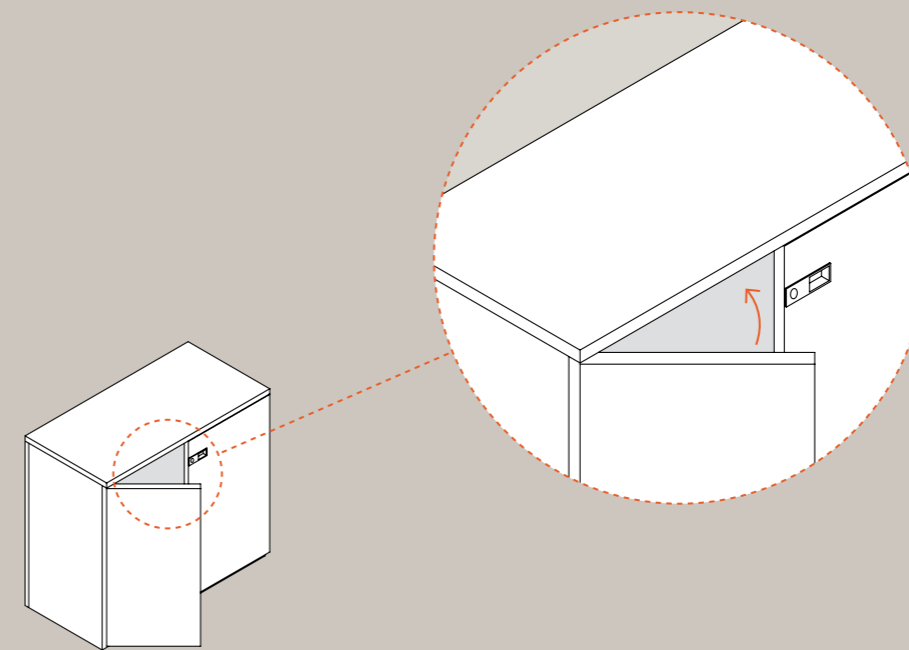
levelling feet
725 mm +/- 5mm, 720 +10mm, 730 -10mm

door options

Almost any door finish is possible;
painted steel, melamine, laminate and veneer.



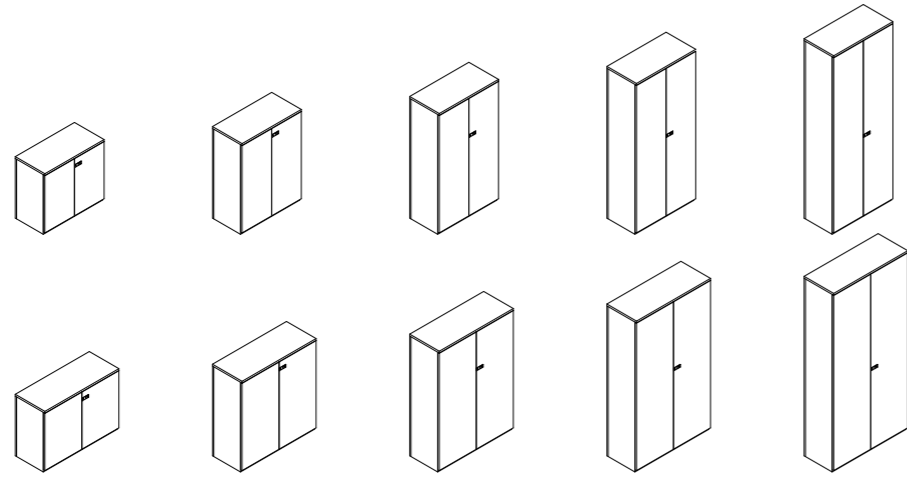
steel melamine laminate veneer tambour



hinges are damped and will close automatically past 30 degrees

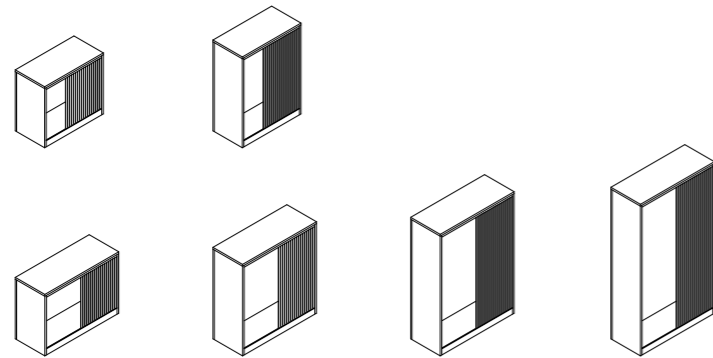
hinged doors

w: 80, 100cm
d: 40cm
h: 72, 107, 142, 176, 210cm



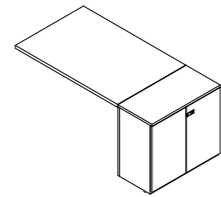
tambours

w: 80, 100cm
d: 40cm
h: 72, 107, 142, 176



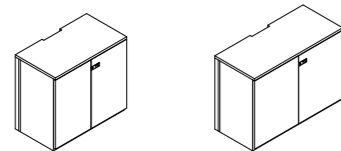
cantilever cabinets

w: 80cm
d: 40cm
h: 72cm



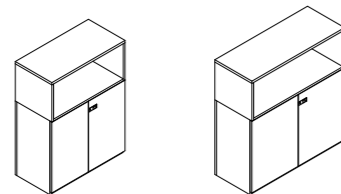
vertically cable managed cabinets

w: 80, 100cm
d: 40cm
h: 72cm



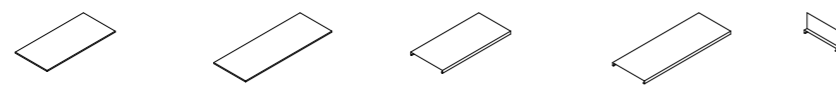
building blocks

w: 80, 100cm
d: 40cm
h: 35cm



shelves

binder shelves
combination shelves
combination shelf divider



finishes

paints



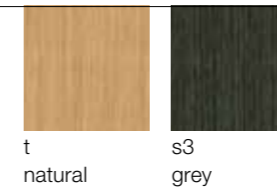
melamines



laminates



techgrains®



locations

Knoll Benelux
Knoll International SA
Tour & Taxis
Av. du Port 86 Havenlaan – C.215
B-1000 Brussels, Belgium
tel. +32 (0)2 715 1300
fax +32 (0) 715 1319
benelux@knolleurope.com

Knoll France
Knoll International SA
268 Boulevard Saint-Germain
75007 Paris, France
tel. +33 (0)1 44 18 19 99
fax +33 (0)1 45 50 20 62
france@knolleurope.com

Knoll Germany
91 Goswell Road
Clerkenwell
London
EC1V 7EX
United Kingdom
tel. +44 (0)20 7236 6655
fax +44 (0)20 7248 1744
germany@knolleurope.com

Knoll Italy
Knoll International spa
piazza Bertarelli, 2
20122 Milano, Italy
tel. +39 (0)2 7222291
fax +39 (0)2 72222930
italy@knolleurope.com

Knoll UK
Knoll International Ltd
91 Goswell Road
Clerkenwell
London
EC1V 7EX
United Kingdom
tel. +44 (0)20 7236 6655
fax +44 (0)20 7248 1744
uk@knolleurope.com

Knoll International
EMEA and APLA
91 Goswell Road
Clerkenwell
London
EC1V 7EX
United Kingdom
tel +44 (0)20 7236 6655
fax +44 (0)20 7489 8059
emea@knolleurope.com

credits

art direction and
graphic design concept
Ginette Caron, Milan
graphic layout
Masami Moriyama

paper sculptures
Michele Reginaldi, Milan

photography
Mario Carrieri, Milan

post production
Pluscolor, Milan

printing
Nava Press, Milan

printed in Italy
July 2011

