

the universal platform

Scope is the universal furniture platform.

It can create anything from a conventional desk to benches, corner formats, through to conference tables.

It is unrestricted by any particular modularity, format or aesthetic.

A universal operating system for the workplace.

scope | **Knoll**

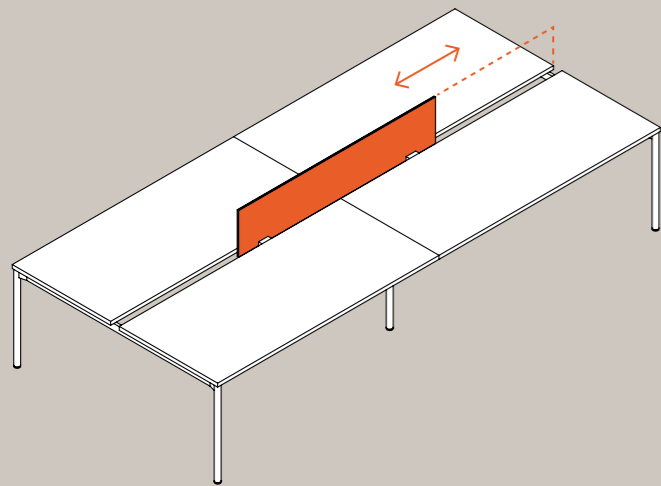
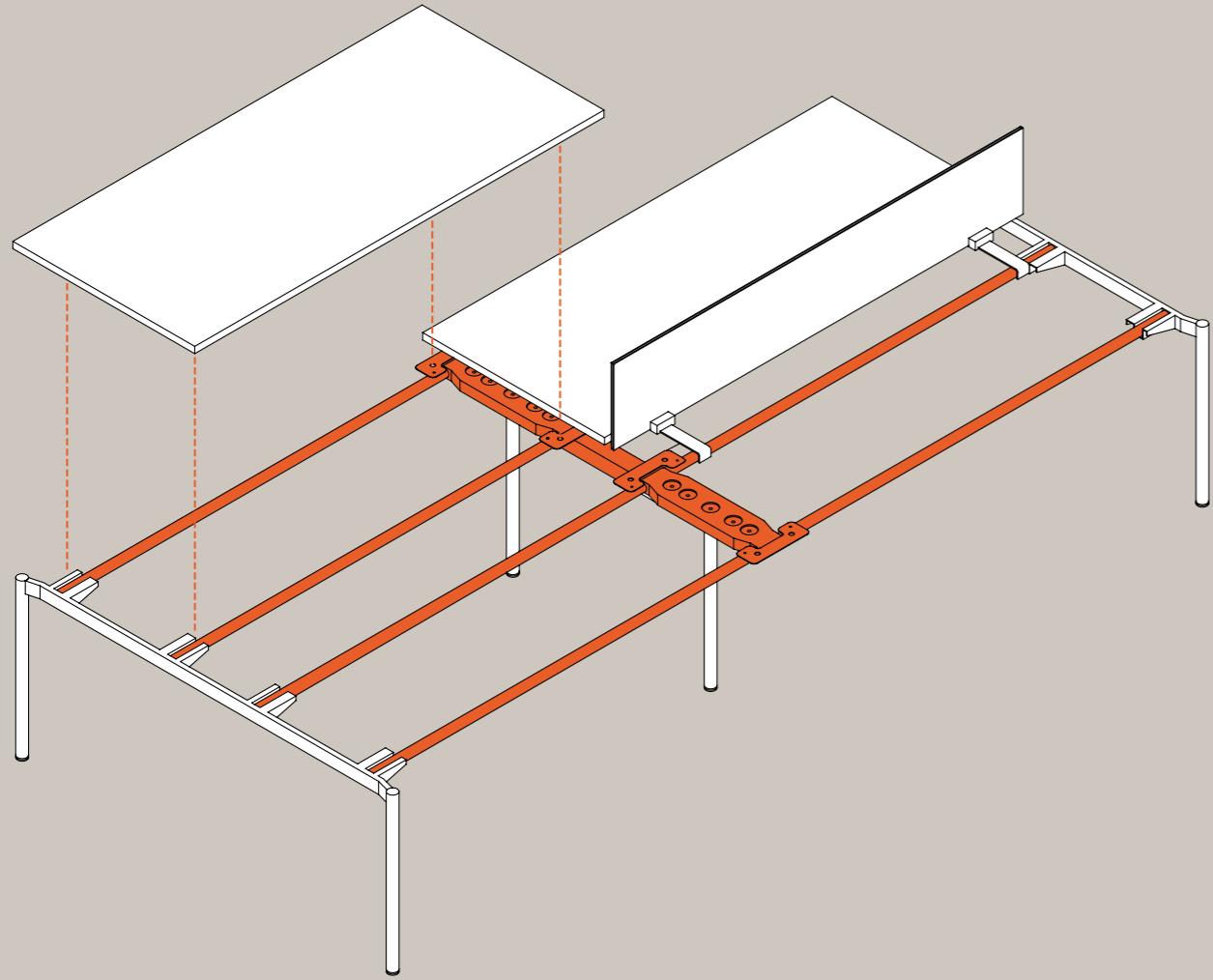




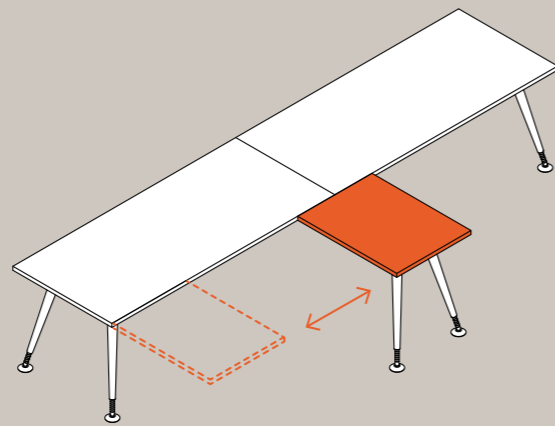
structure

Scope worksurfaces are supported by a robust, independent sub structure.

The rails provide universal connection points for adjoining surfaces, desk screens and cable trays.

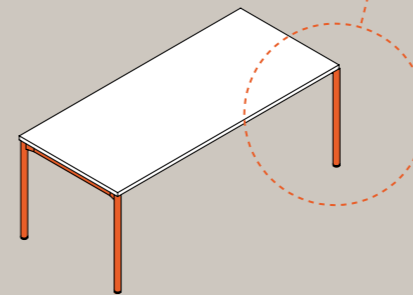


off modularity - screens

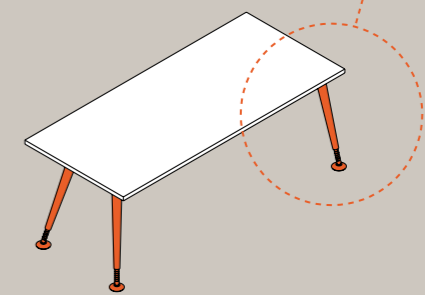
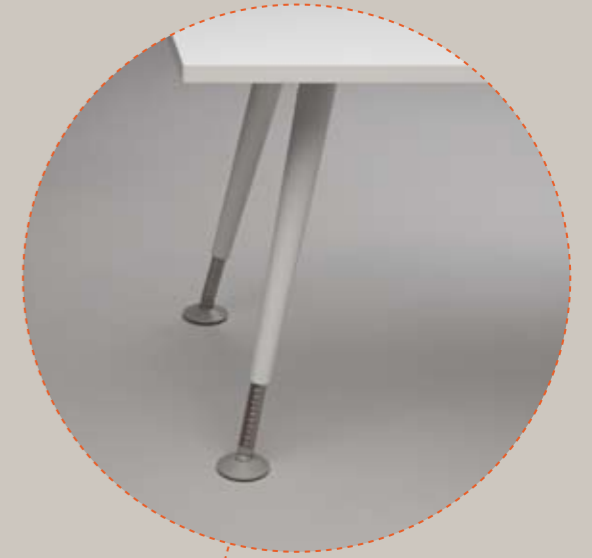


off modularity - worksurfaces

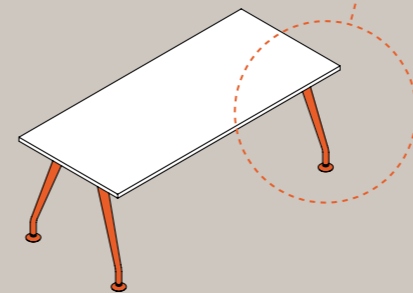
leg options



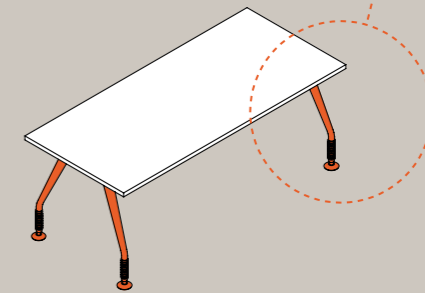
straight



telescopic



conical - fixed height

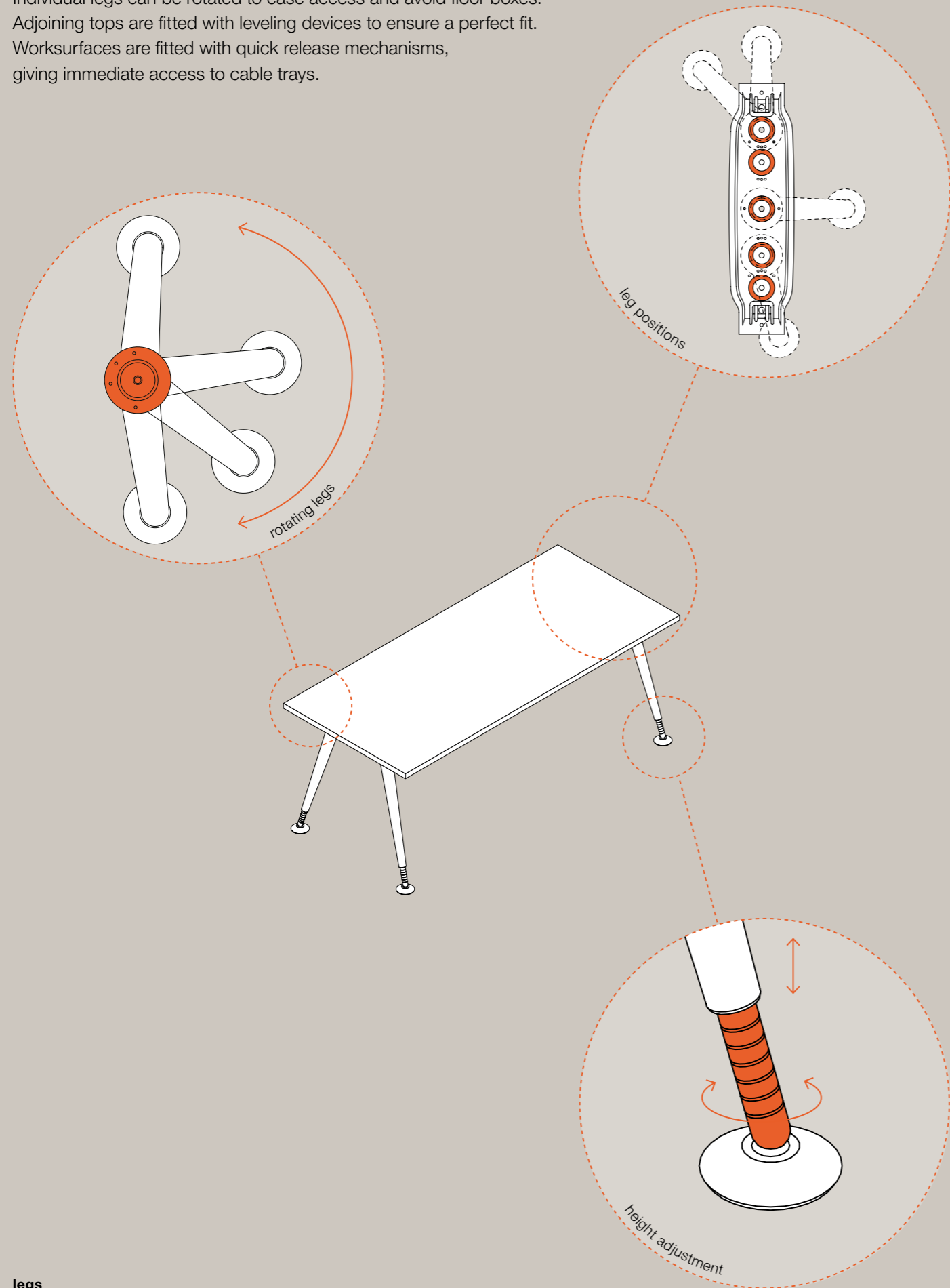


conical - height adjustable

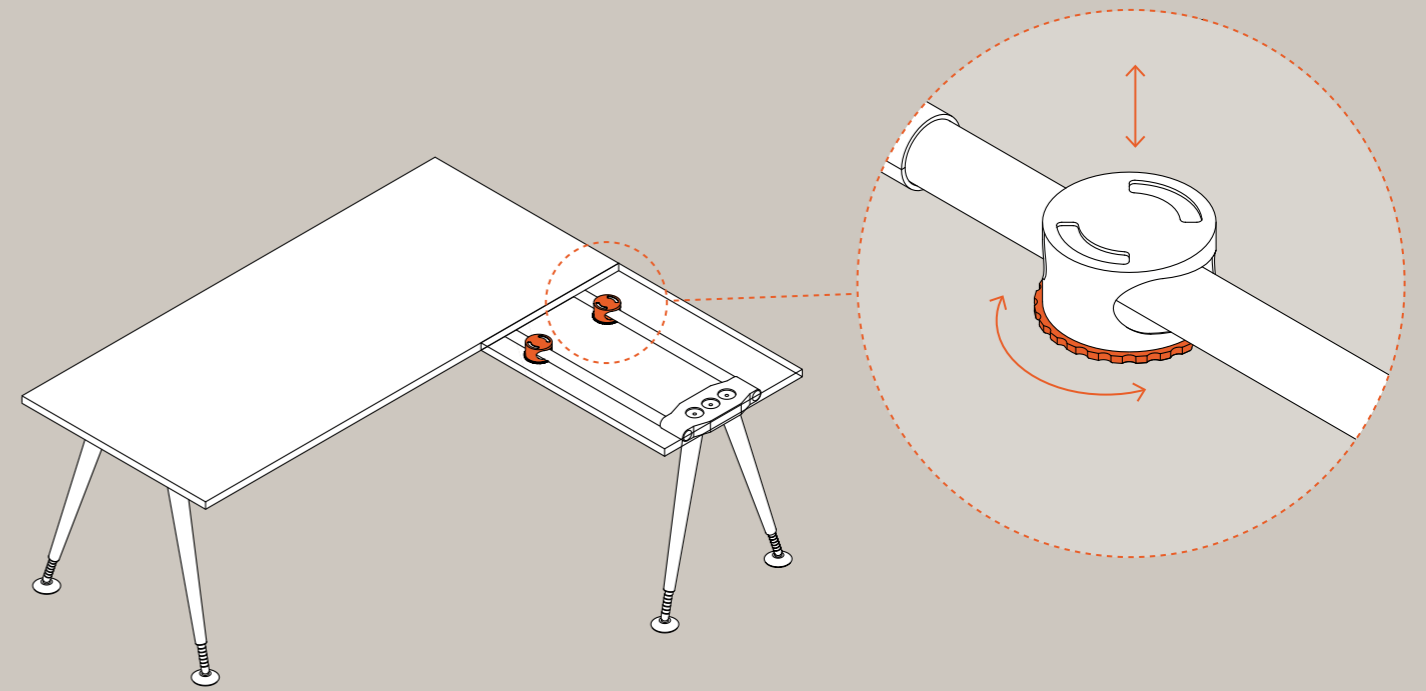


technical

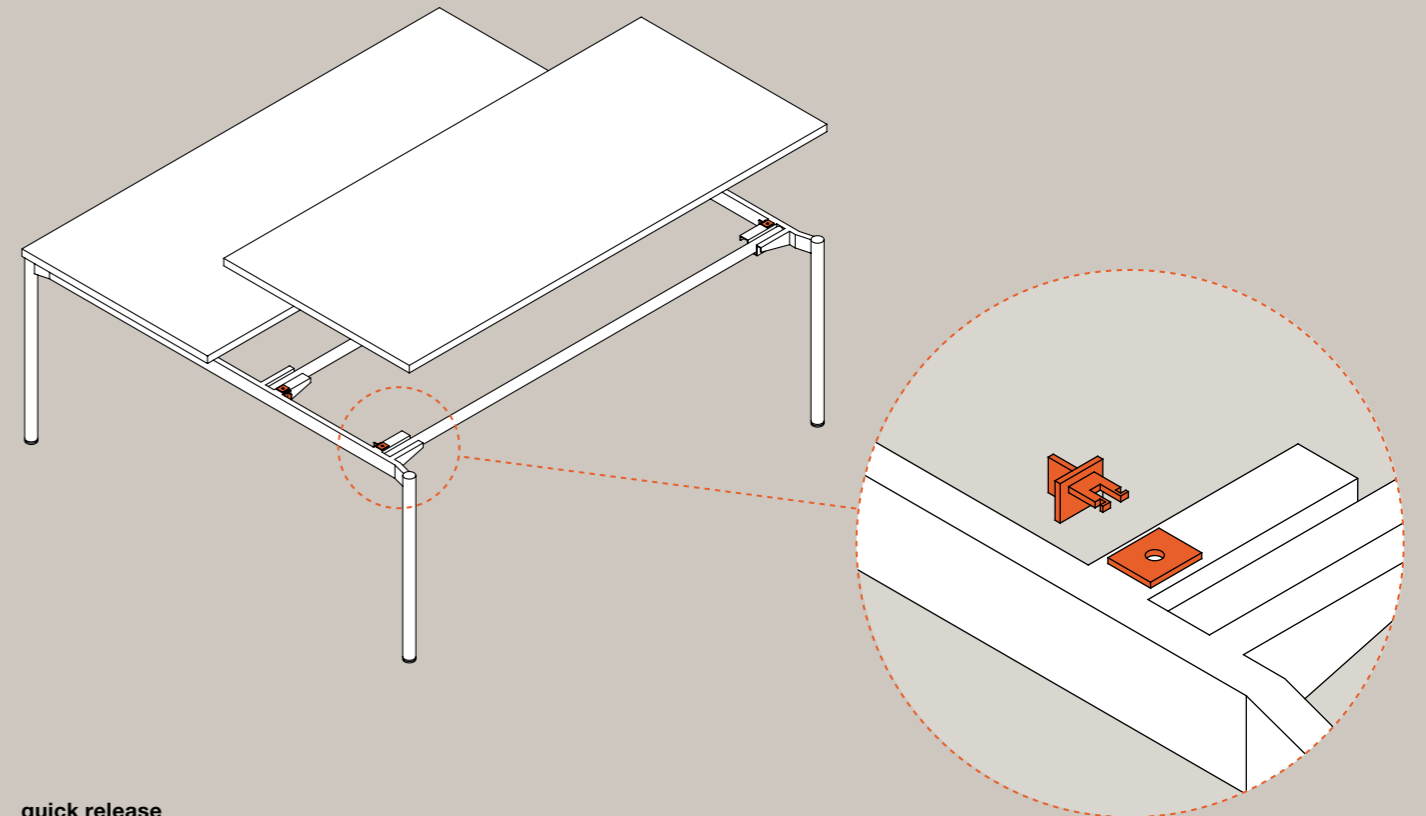
Scope is infinitely adjustable. Legs are adjustable in height by up to 200mm and have up to 5 mounting position options. Individual legs can be rotated to ease access and avoid floor boxes. Adjoining tops are fitted with leveling devices to ensure a perfect fit. Worksurfaces are fitted with quick release mechanisms, giving immediate access to cable trays.



legs



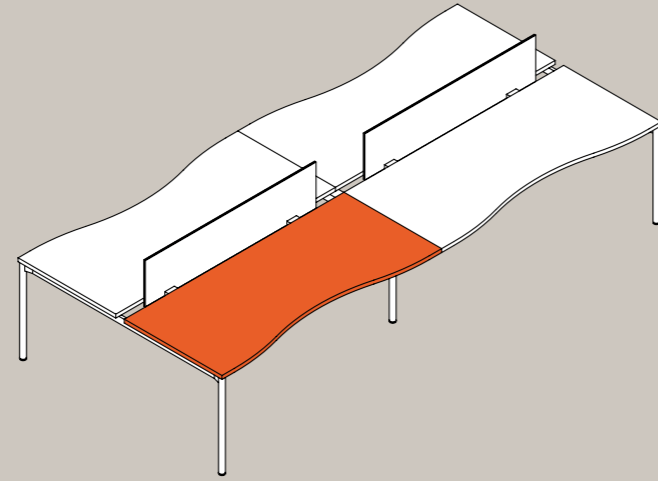
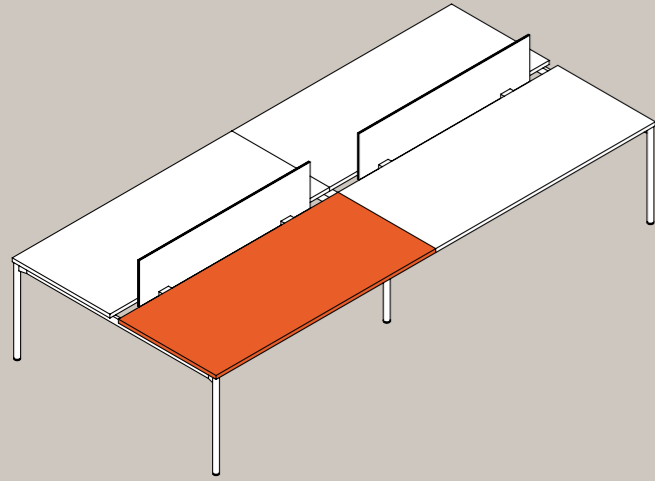
returns and leveling



quick release

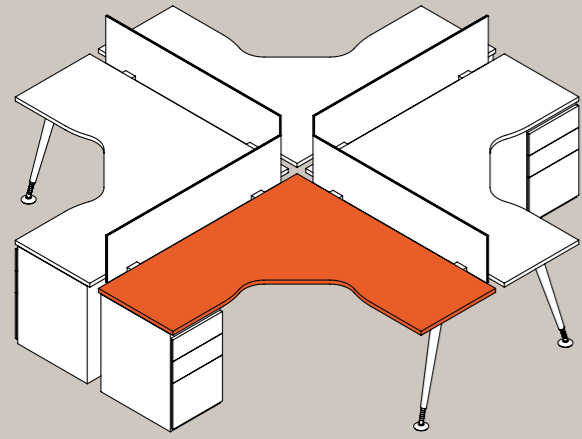


formats

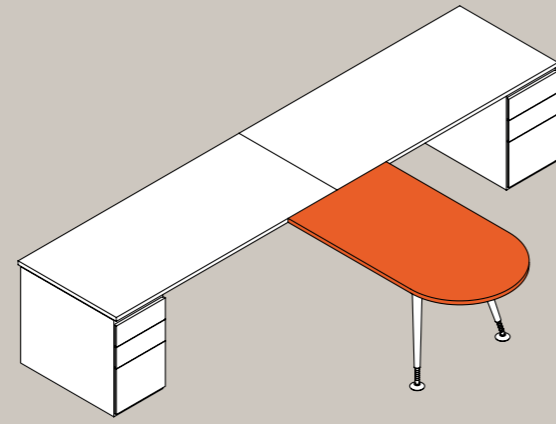


rectangular

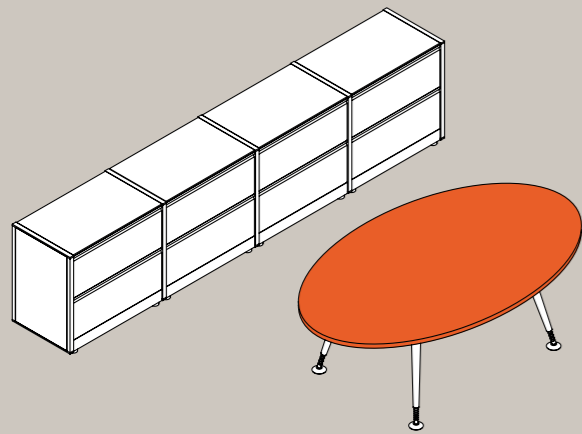
concave



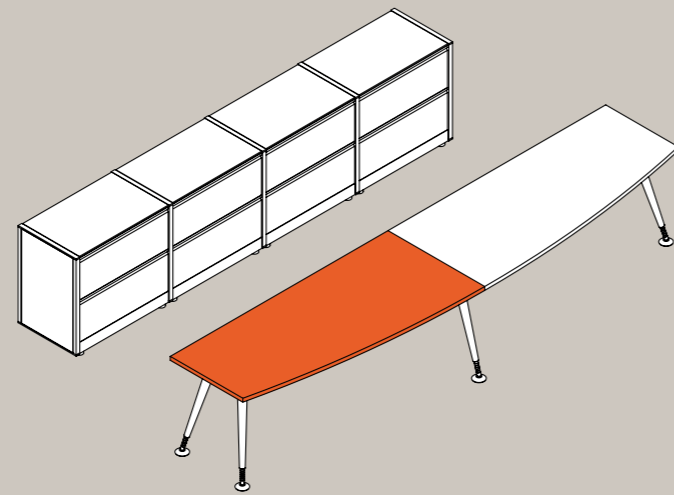
corner 90/120 degree



D end

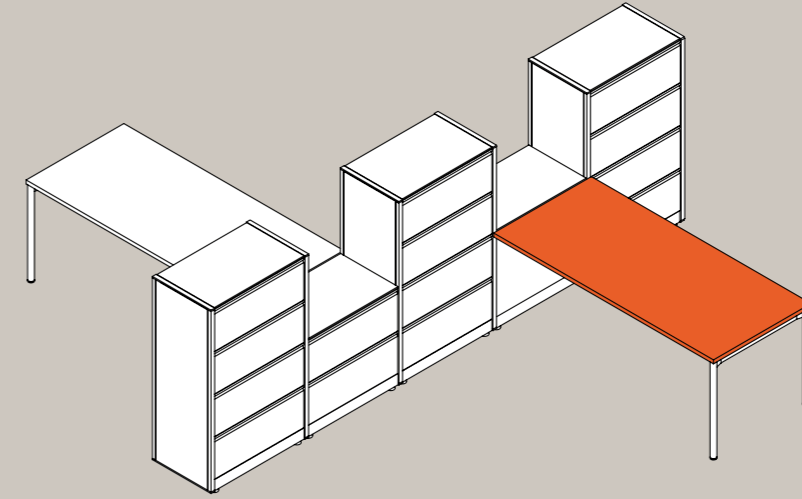


elliptical

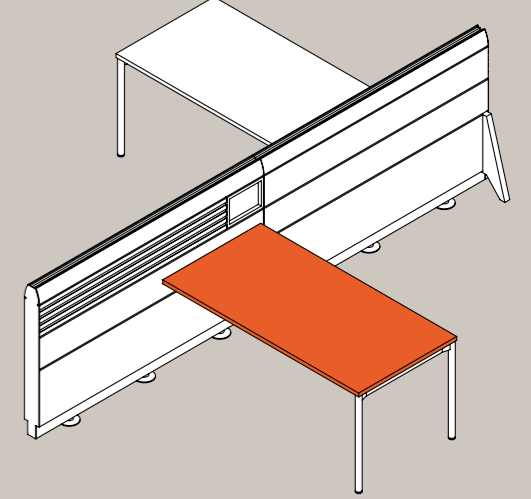


arc

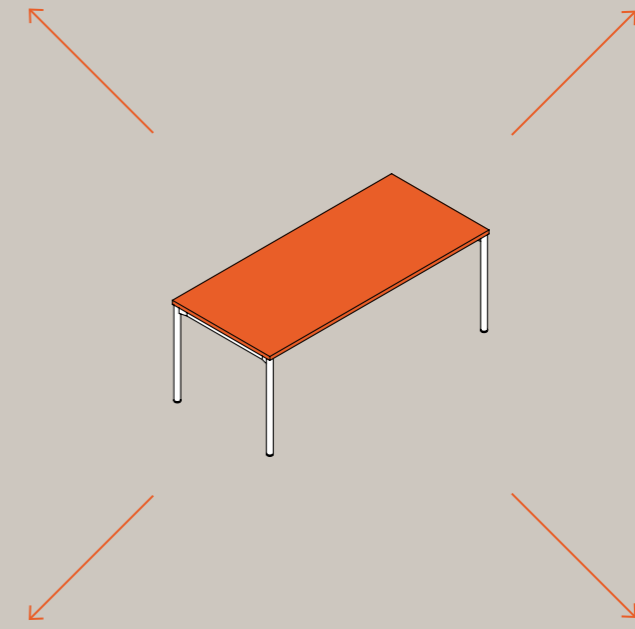
connect



storage



service wall

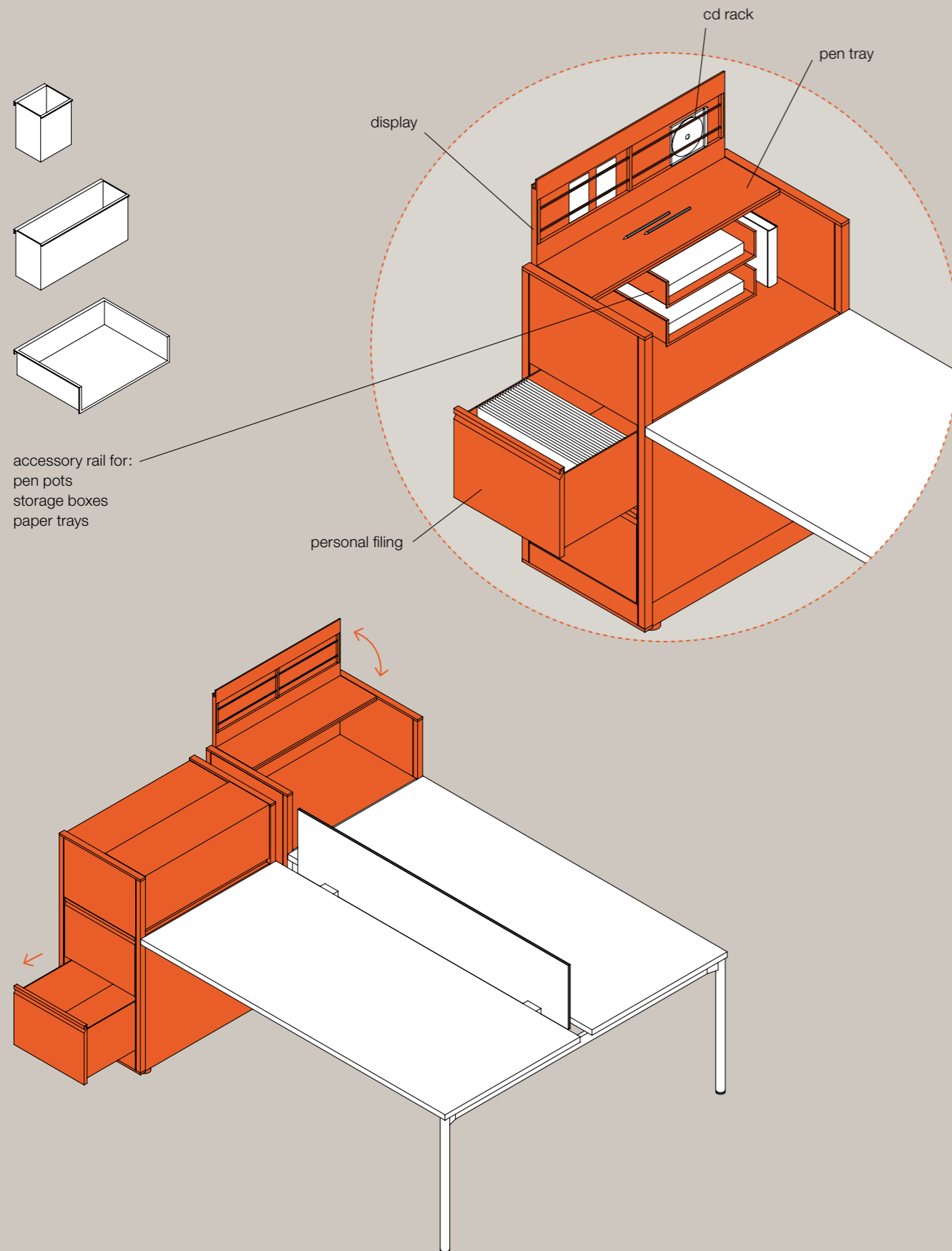


worksurfaces

bureau

bureau

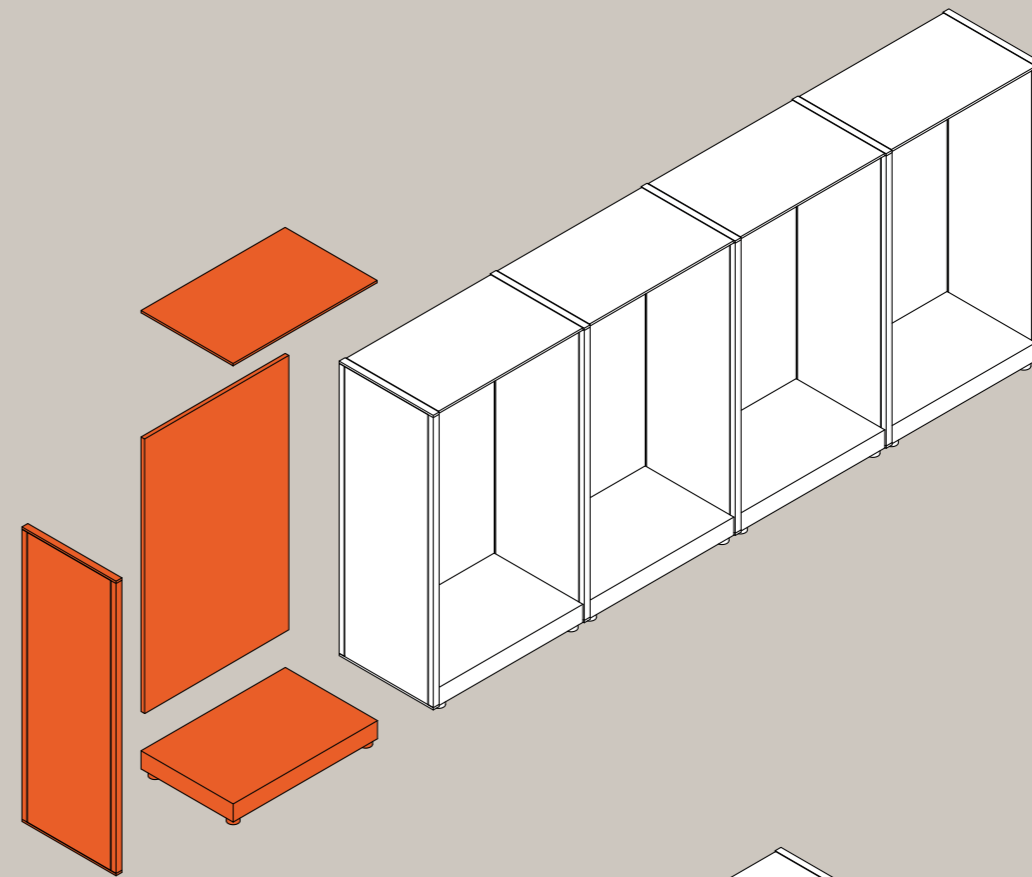
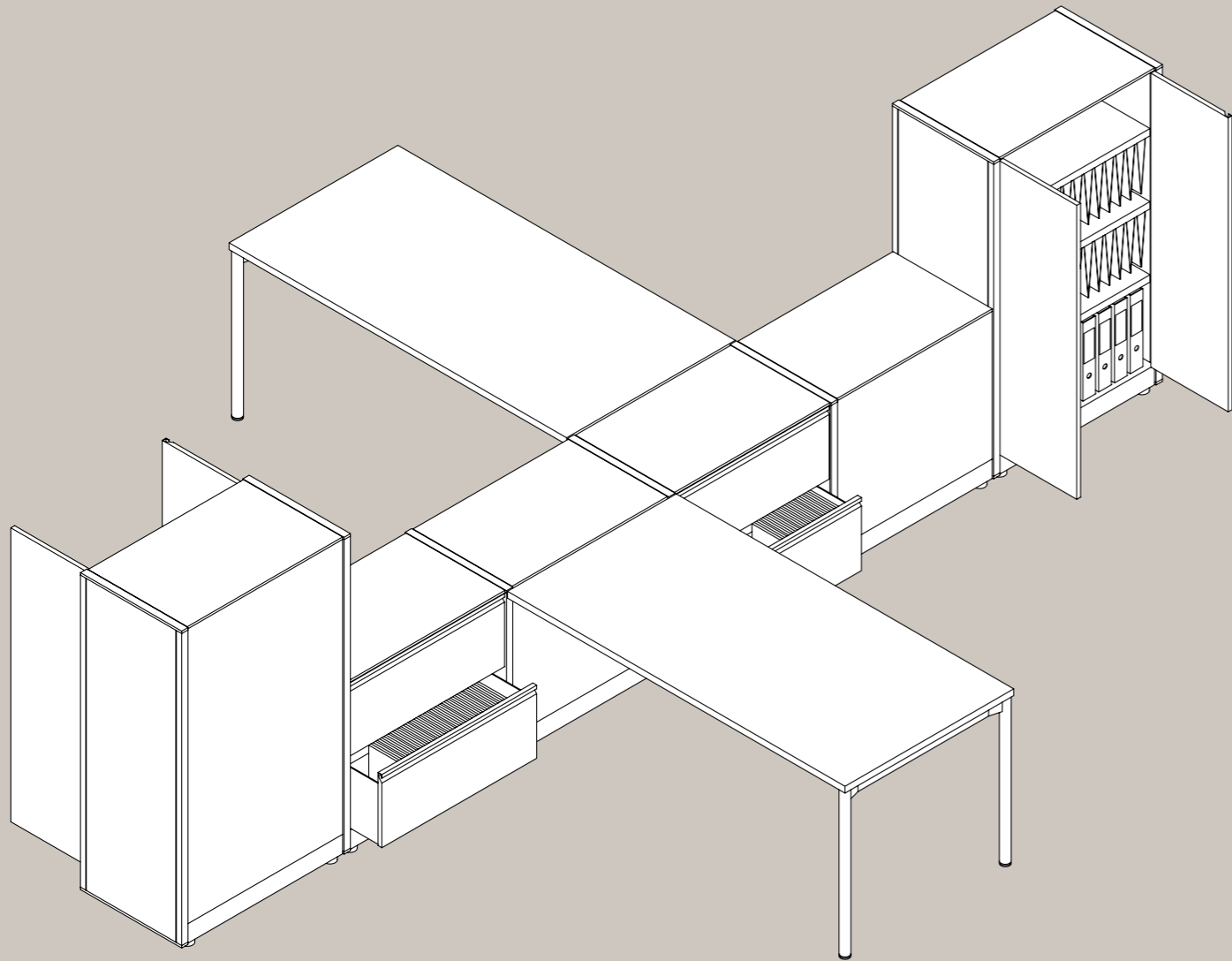
The bureau is a desk side, personal storage unit. In the open position it extends your working area, providing easy access to pens, paper trays and accessories, along with a personal display panel. At the end of the day all personal items are easily locked securely away. The door mechanism is dampened and silent in use.



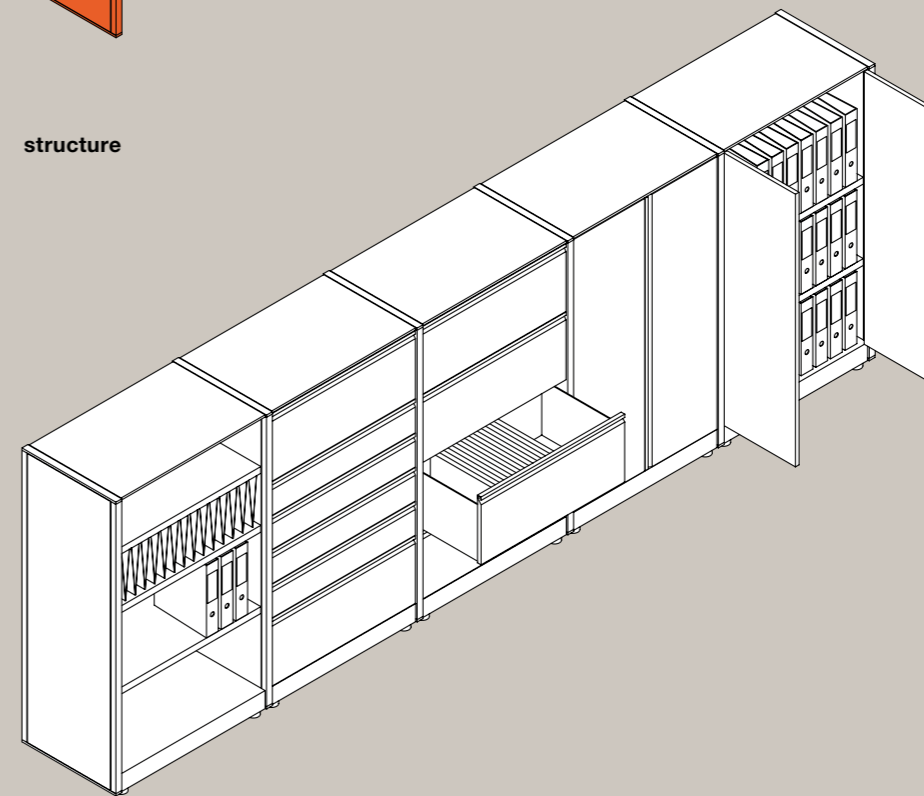


storage

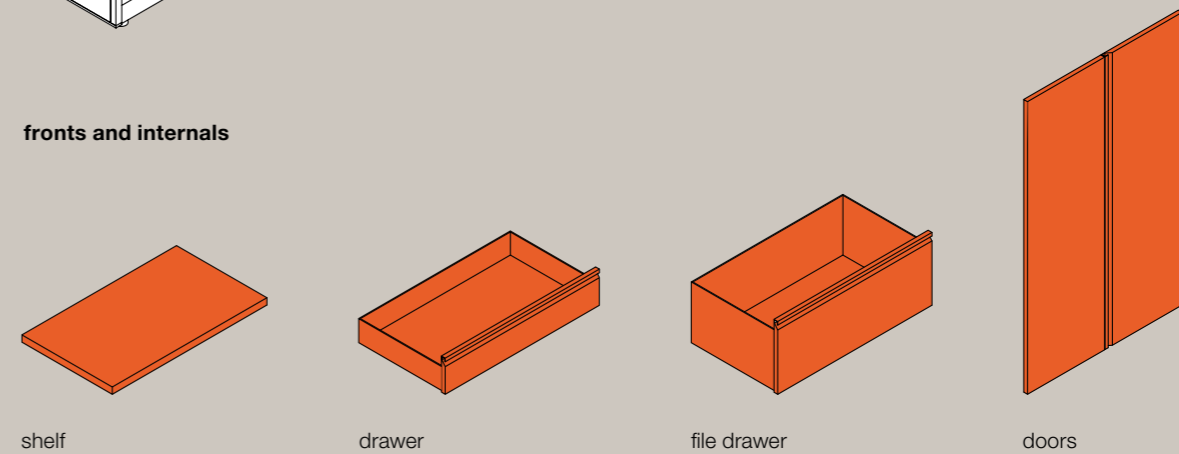
Scope storage is a composable system. Individual elements such as doors, file drawers and shelves can be added, removed and relocated as required. It can be configured to give access from either side, even within the same module. Worksurfaces can connect to either side. Scope storage is transported in component form, which is highly efficient when compared to conventional cabinets.



structure



fronts and internals



shelf

drawer

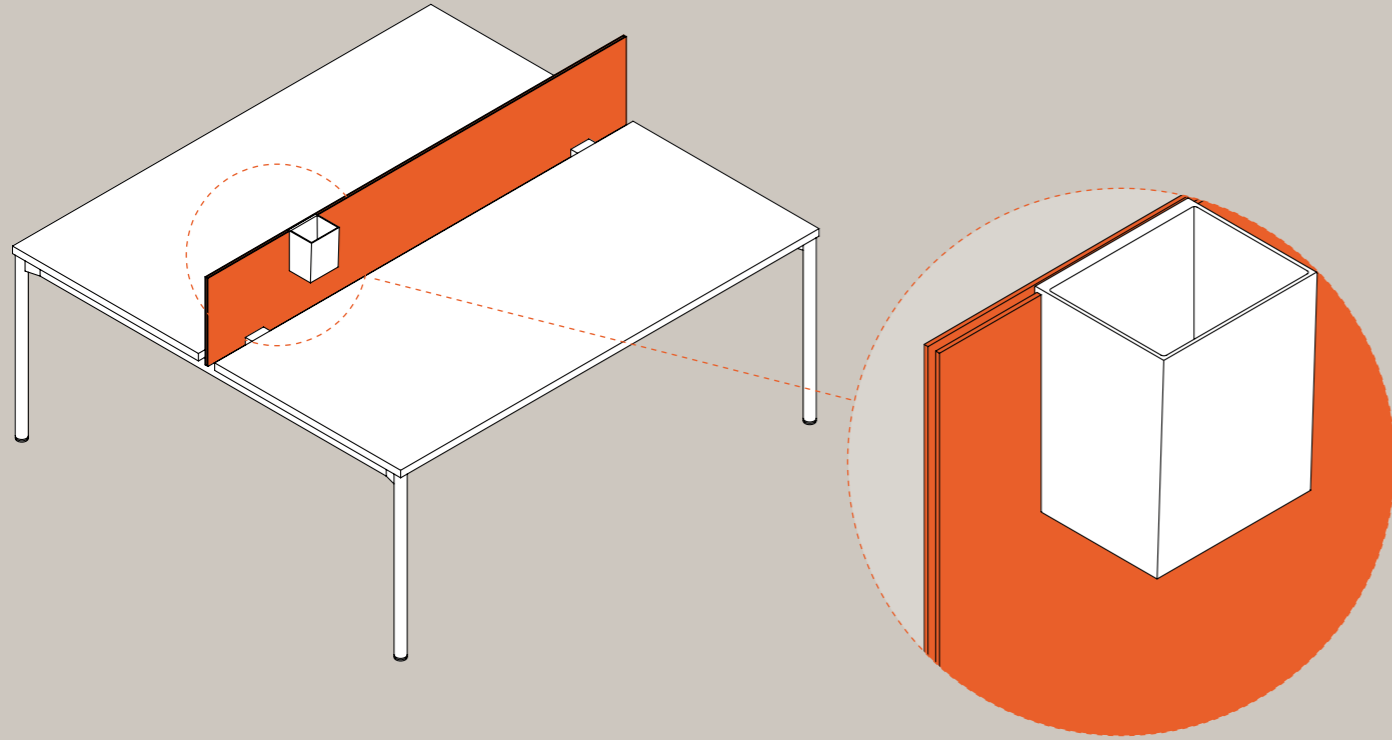
file drawer

doors



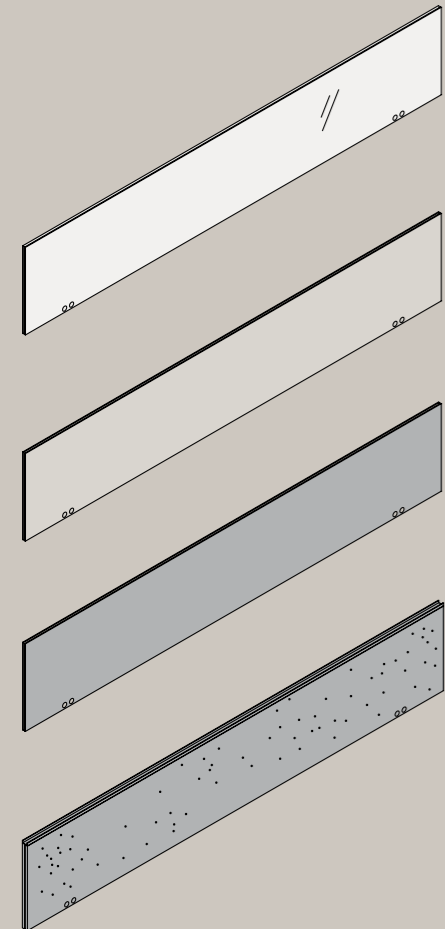
screens

A simple refined aesthetic with integral accessory rail.



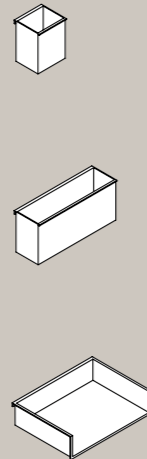
screen options

transparent
translucent
laminated
fabric



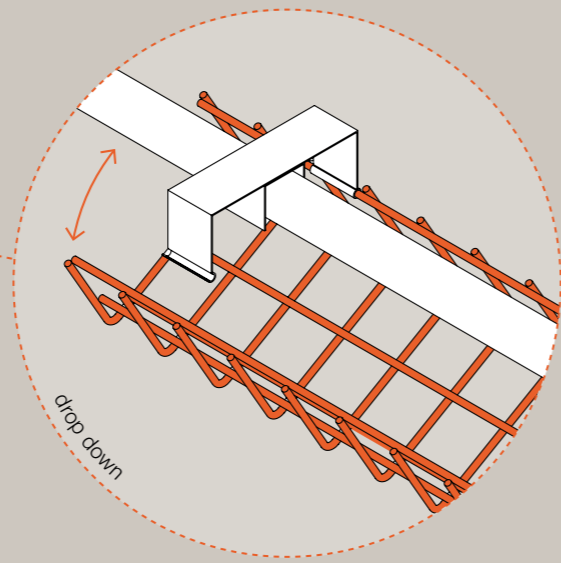
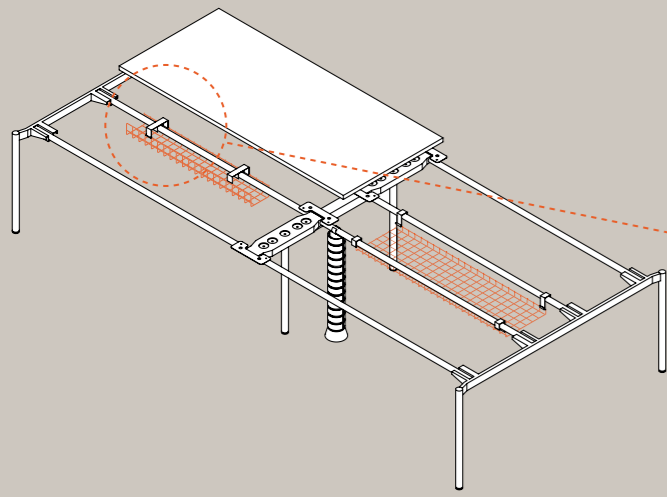
accessory boxes

pen pot
storage box
paper tray

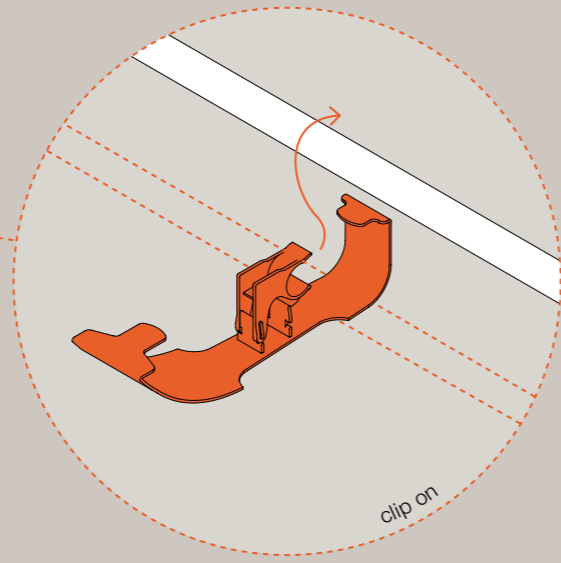
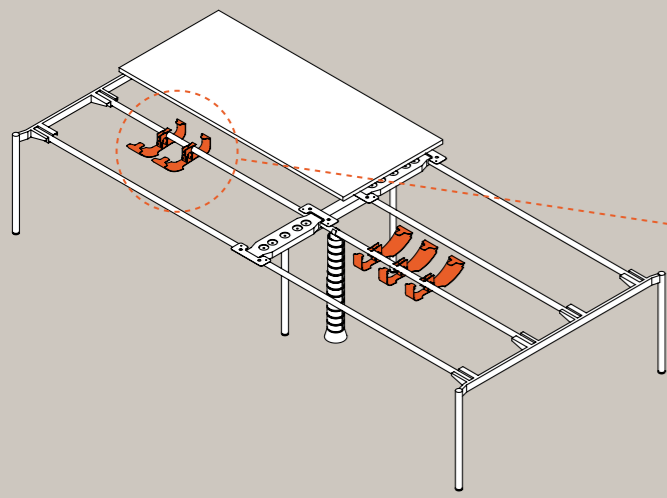




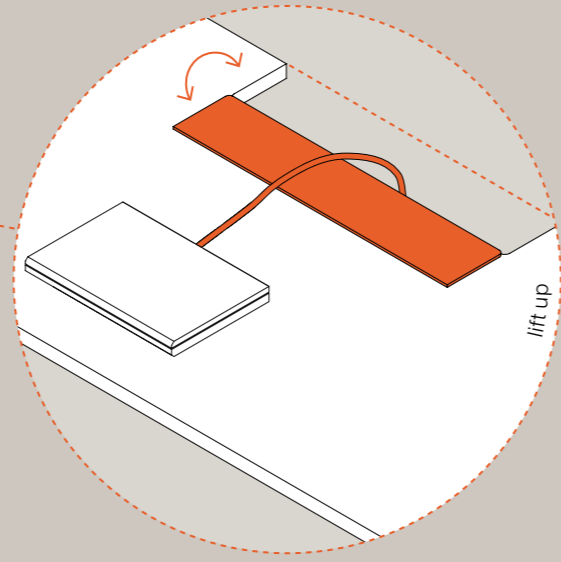
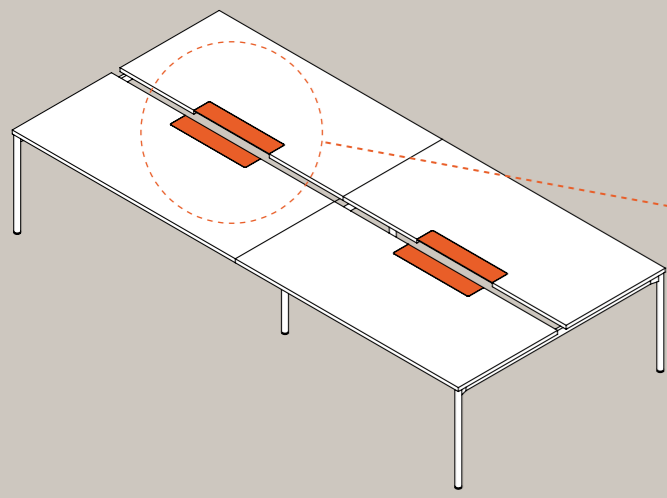
cable management



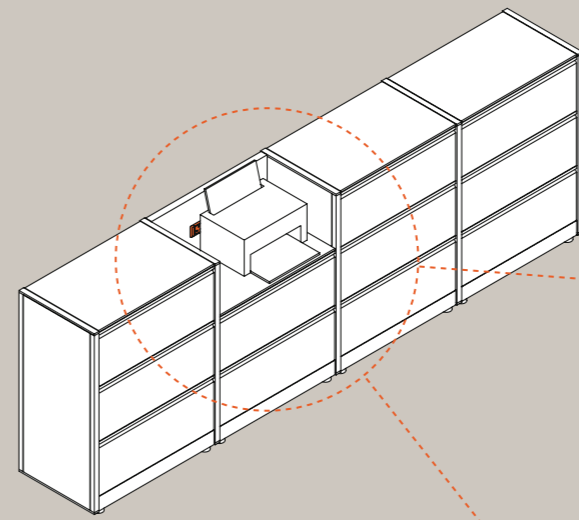
cable trays



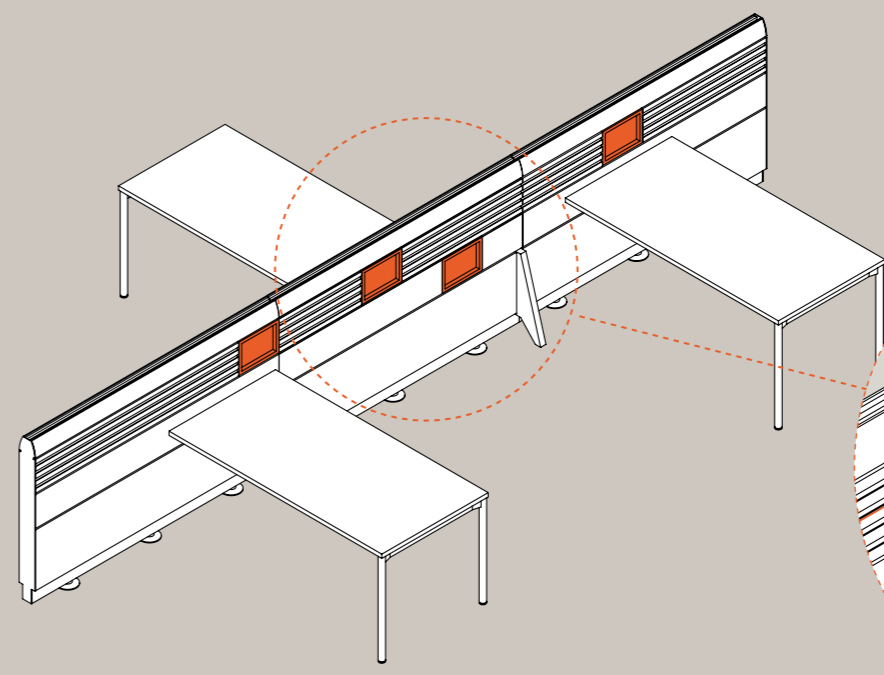
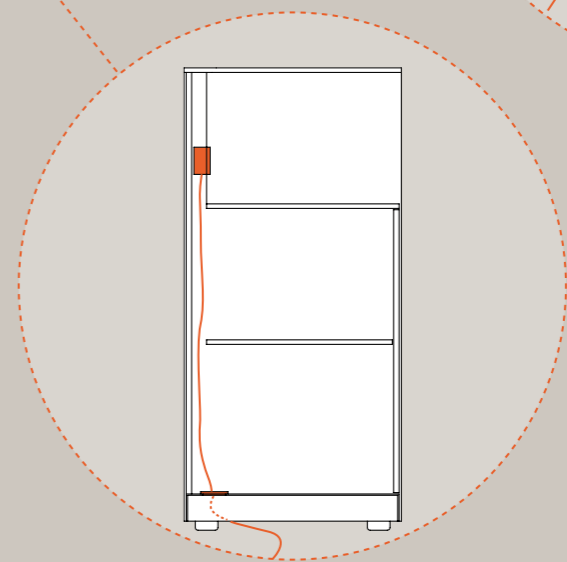
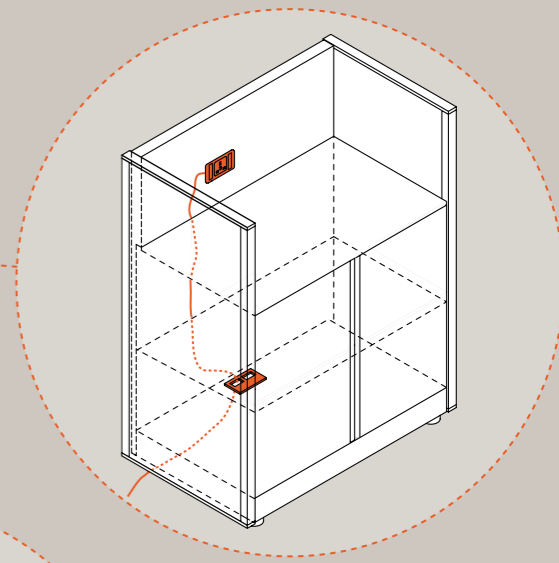
cable clips



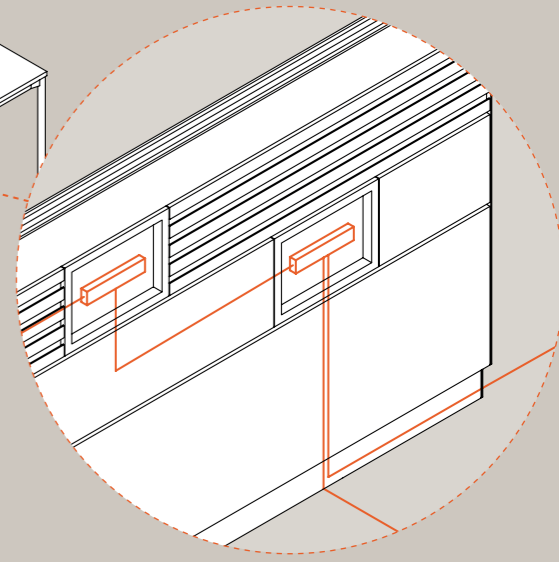
access flaps



storage cable conduit



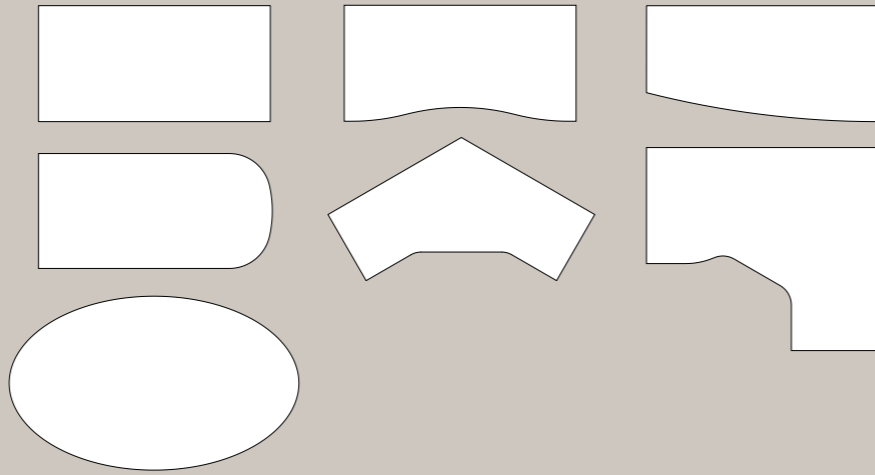
service wall





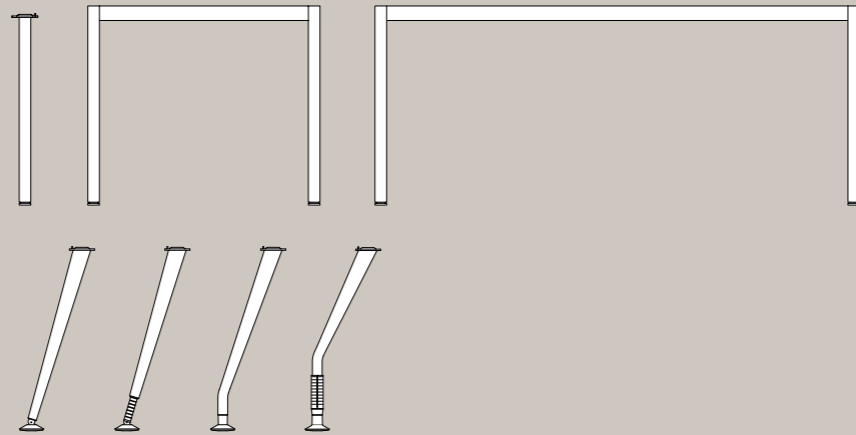
worksurfaces

- rectangular d: 60, 80cm
w: 100, 120, 140, 160, 180cm
- concave d: 80, 90cm
w: 160, 180cm
- arc d: 60, 80cm
w: 160, 180cm
- D end d: 80cm
w: 120, 140, 160, 180cm
- corner 120° d: 60, 80cm
w: 120cm
- corner 90° d: 47, 60, 80cm
w: 120, 140, 160, 180cm
- elliptical d: 120cm
w: 200cm



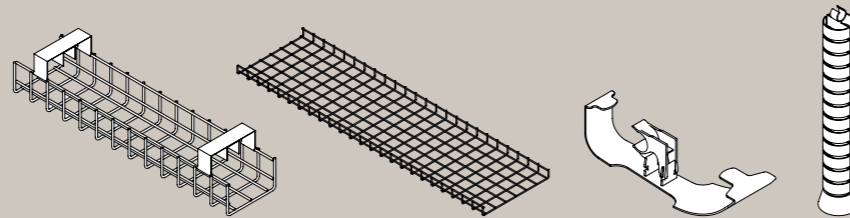
legs

- straight
- taper
- telescopic
- conical
- conical, height adjustable



cable management

- single sided trays
- back to back trays
- cable clips
- cable risers



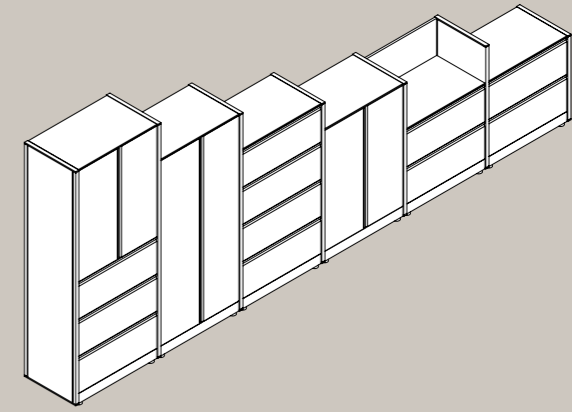
screens

- transparent
- translucent
- laminated
- fabric



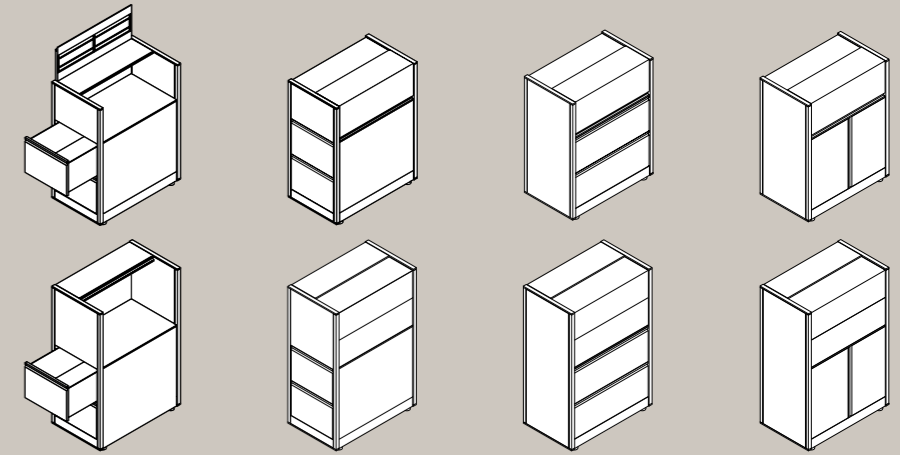
scope storage

- w: 80, 100cm
- h: 72, 102, 120, 132, 162, 192cm



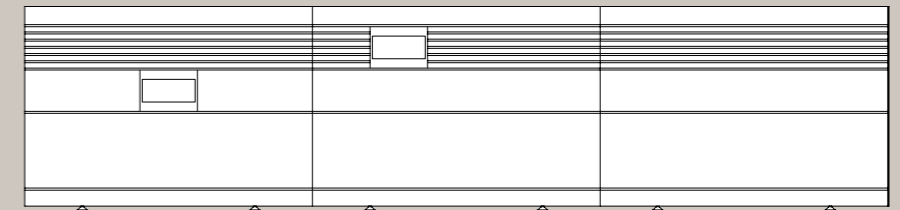
bureau storage

- 48 x 80 x 102cm
- 48 x 80 x 120cm



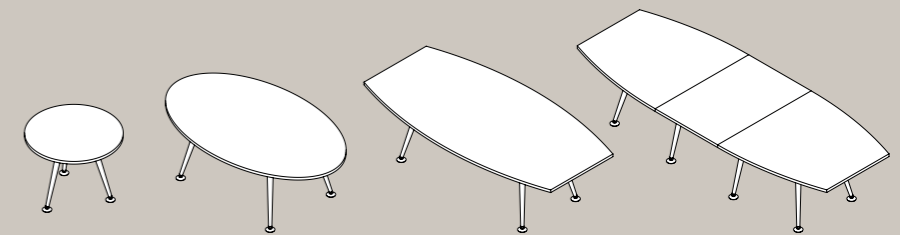
service wall

- frame modules
- w: 121.9, 152.4, 182.9cm
- h: 109.2, 132.1cm



meeting tables

- circular
ø: 90, 105, 120cm
- elliptical
w: 120cm
l: 200cm
- boat shaped
w: 120cm
l: 240, 320, 400, 480, 560cm



finishes

Scope offers a broad palette of finishes, including a selection

of core paint colours common to all Knoll furniture systems.

Surface finishes include laminate, melamine and techgrain veneer.

Knoll techgrain is a veneer product that eliminates the inherent disparities of grain, colour and texture that characterise natural wood veneers.

finishes

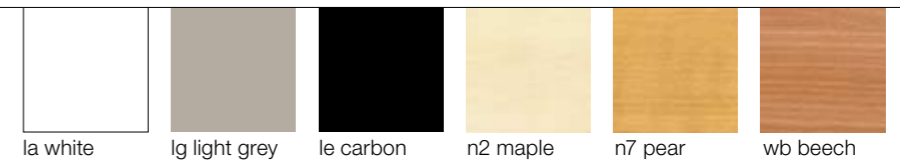
paints



melamines



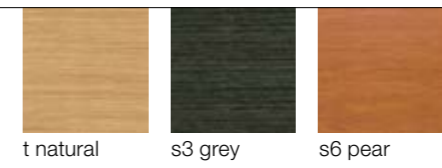
laminates



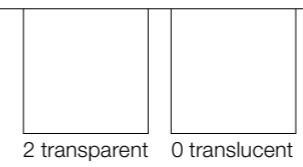
solid core laminates



techgrains



acrylics



showrooms

Knoll Benelux
Knoll International SA
Tour & Taxis
Av. du Port 86 Havenlaan – C.215
B-1000 Brussels, Belgium
tel. +32 (0)2 715 1300
fax +32 (0) 715 1319
benelux@knolleurope.com

Knoll France
Knoll International SA
268 Boulevard Saint-Germain
75007 Paris, France
tel. +33 (0)1 44 18 19 99
fax +33 (0)1 45 50 20 62
france@knolleurope.com

Knoll Germany
91 Goswell Road
Clerkenwell
London
EC1V 7EX
United Kingdom
tel. +44 (0)20 7236 6655
fax +44 (0)20 7248 1744
germany@knolleurope.com

Knoll Italy
Knoll International spa
piazza Bertarelli, 2
20122 Milano, Italy
tel. +39 (0)2 7222291
fax +39 (0)2 72222930
italy@knolleurope.com

Knoll UK
Knoll International Ltd
91 Goswell Road
Clerkenwell
London
EC1V 7EX
United Kingdom
tel. +44 (0)20 7236 6655
fax +44 (0)20 7248 1744
uk@knolleurope.com

Knoll International
EMEA and APLA
91 Goswell Road
Clerkenwell
London
EC1V 7EX
United Kingdom
tel +44 (0)20 7236 6655
fax +44 (0)20 7489 8059
emea@knolleurope.com

credits

Scope design
Knoll design department and Marc Krusin

graphic design
Ginette Caron, Milan
executive graphic design
Masami Moriyama

photography
Mario Carrieri, Milan

post production
Fotoincisione Varesina, Varese

printing
Nava Press, Milan

printed in Italy
February 2010